

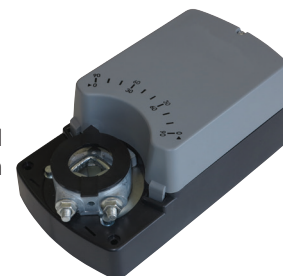
Damper actuators, 24 Nm

S24

Description

Damper actuator serie S24 to operate and position air dampers in HVAC systems.

- For air dampers up to approx. 4.5 m²
- Nominal voltage 24 Vac/dc and 100...240 Vac
- Control: Open-close or 3-point and proportional
- Characteristics: universal spindle clamp for easy direct mounting, shaft dimensions Ø 10 to 20 mm round / □ 10 to 16 mm square, minimum shaft length 50 mm, anti-rotation bracket provided for stability, manual over ride by push button, selectable direction of rotation, adjustable angle of rotation, parallel connection up to 10 actuators.



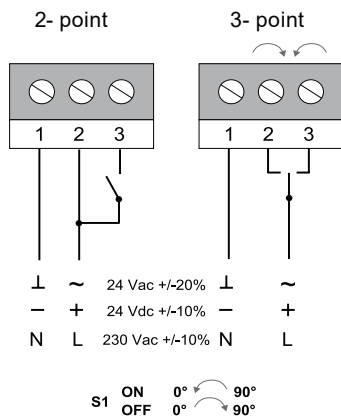
Technical features

Actuator model		S24A	S24B	S24AM	S24BM
Damper area	m ²		4.5		
Nominal torque	Nm		24		
Power supply	V	24 AC/DC	100...240 AC	24 AC/DC	100...240 AC
Frequency	Hz		50/60		
Power consumption					
- in operation	W		4,5		
- at rest	W	0,5	0,7	0,5	0,7
- for wire sizing	VA		7,0		
Running time	s		130...160		
Sound power level	db (A)		45		
Control signal		2-3 point	2-3 point	0(2)...10 V DC 0(4)...20 mA	0(2)...10 V DC 0(4)...20 mA
Auxiliary switch rating			3 (1,5) A, 230 V AC		
Life Cycle	cycles		60.000		
Rotation angle					
- operating			0-90°		
- limitation			5-85° (steps of 5°)		
Protection class		III	II	III	II
Protection degree			IP54		
Working range °C			-20...+70° C		
Working range RH			5...95% RH, non-condensating		
Storage temperature			-40...+80° C		
Maintenance			free		
Weight	g		<1300		
Standards			CE-conformity, RoHs		
Option			suffix S for models with 2 SPDT auxiliary switches		

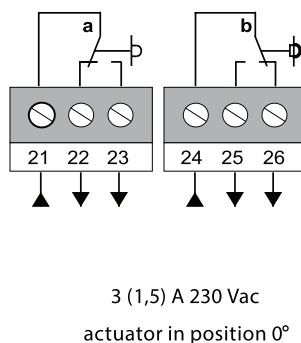


Electrical wirings for models at 2 / 3 points

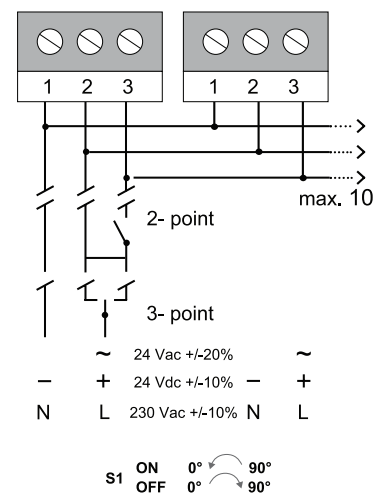
Wiring diagram



Auxiliary switches

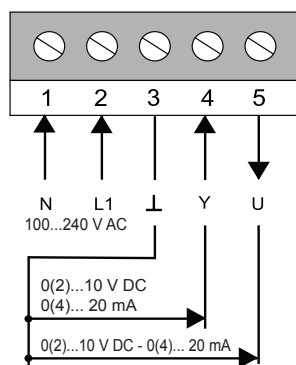


Parallel connections

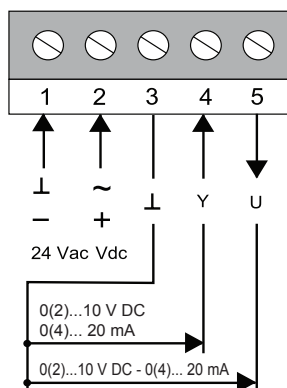


Electrical wirings for proportional models

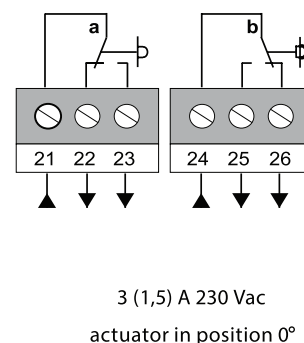
Wiring diagram 230 V AC



Wiring diagram 24 V AC

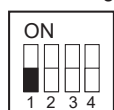


Auxiliary switches



Settings DIP switches

DIP 1
Feedback signal



OFF: 0(2)...10 V
ON: 0(4)...20 mA

DIP 2
Input signal starting point



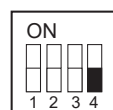
OFF: 0...10 V o 0...20 mA
ON: 2...10 V o 4...20 mA

DIP 3
Input signal



OFF: 0(2)...10 V
ON: 0(4)...20 mA

DIP 4
Rotation direction



OFF: With the increase of the signal, the actuator rotate counterclockwise
ON: With the increase of the signal, the actuator rotate clockwise

S2
Rotation direction



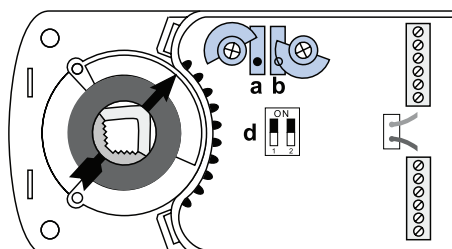
option

S24

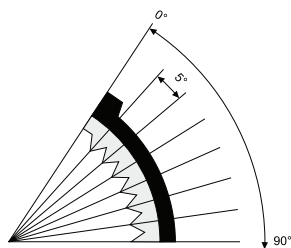


Auxiliary switch adjustment

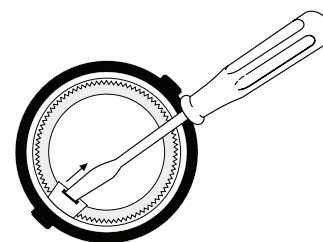
Factory setting:
switch a at 10°
switch b at 80°
The switching position can
be changed manually.



Angle of rotation limiting



Adapter release



■ Dimensions (mm)

